

Micro compression force sensor



Features

- Capacity 500N-5000N
- Compact size
- Easy installation
- Stainless steel construction

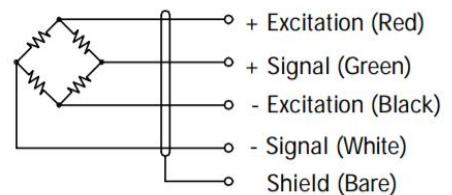
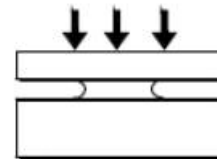
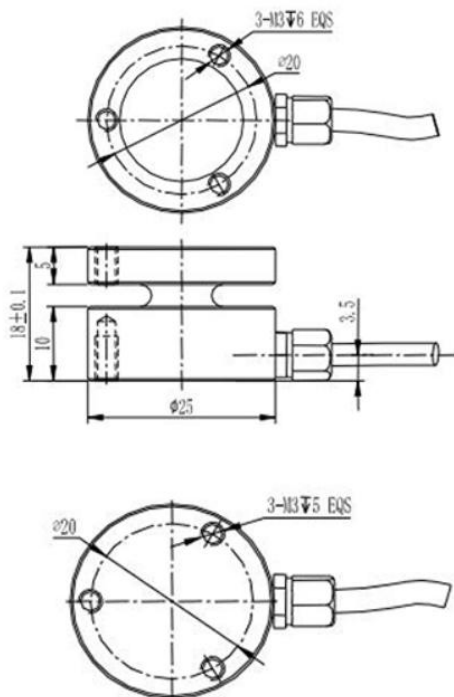
Optional features

- 4-20mA or 0-5V output

DESCRIPTION

The ZMMA1 is a series of miniature force transducers designed for applications in general test and measurement as well as machine monitoring and control. The low profile, small diameter design enables the ZMMA1 to be easily embedded into machinery or test equipment – ideal for packaging machinery, assembly machinery or end-of-line test equipment.

DIMENSIONS (mm)



SPECIFICATIONS

PARAMETER	VALUE	UNIT
Standard capacities (E _{max})	500-5000	N
Rated output-R.O.	1.0-1.5	mV/V
Zero balance	1	±% of rated output
Non linearity	0.2	±% of rated output
Hysteresis	0.1	±% of rated output
Non-repeatability	0.1	±% of rated output
Creep error (30 minutes)	0.03	±% of rated output
Zero return (30 minutes)	0.03	±% of rated output
Temperature effect on min. dead load output	0.0026	±% of rated output/°C
Temperature effect on sensitivity	0.0015	±% of rated output/°C
Compensated temperature range	-10 to +40	°C
Operating temperature range	-20 to +60	°C
Safe overload	150	% of R.C
Ultimate overload	200	% of R.C
Excitation, recommended	10	Vdc
Excitation, maximum	15	Vdc
Input resistance	720±20	Ohms
Output resistance	700±3	Ohms
Insulation resistance	5000	Mega-Ohms
Material	Stainless steel	
Protection class	IP66	

All specifications listed subject to change without notice.